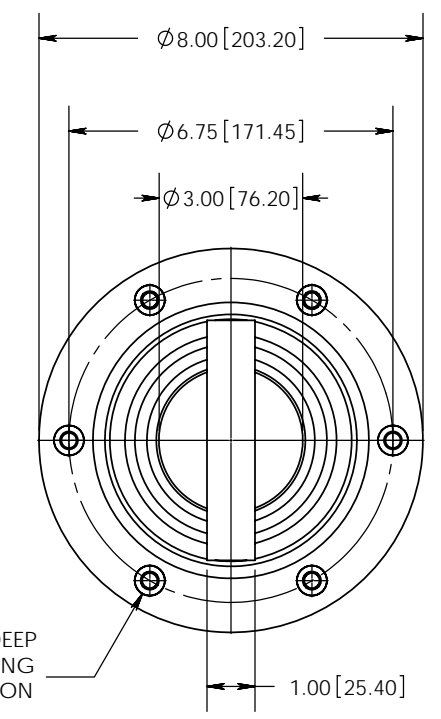
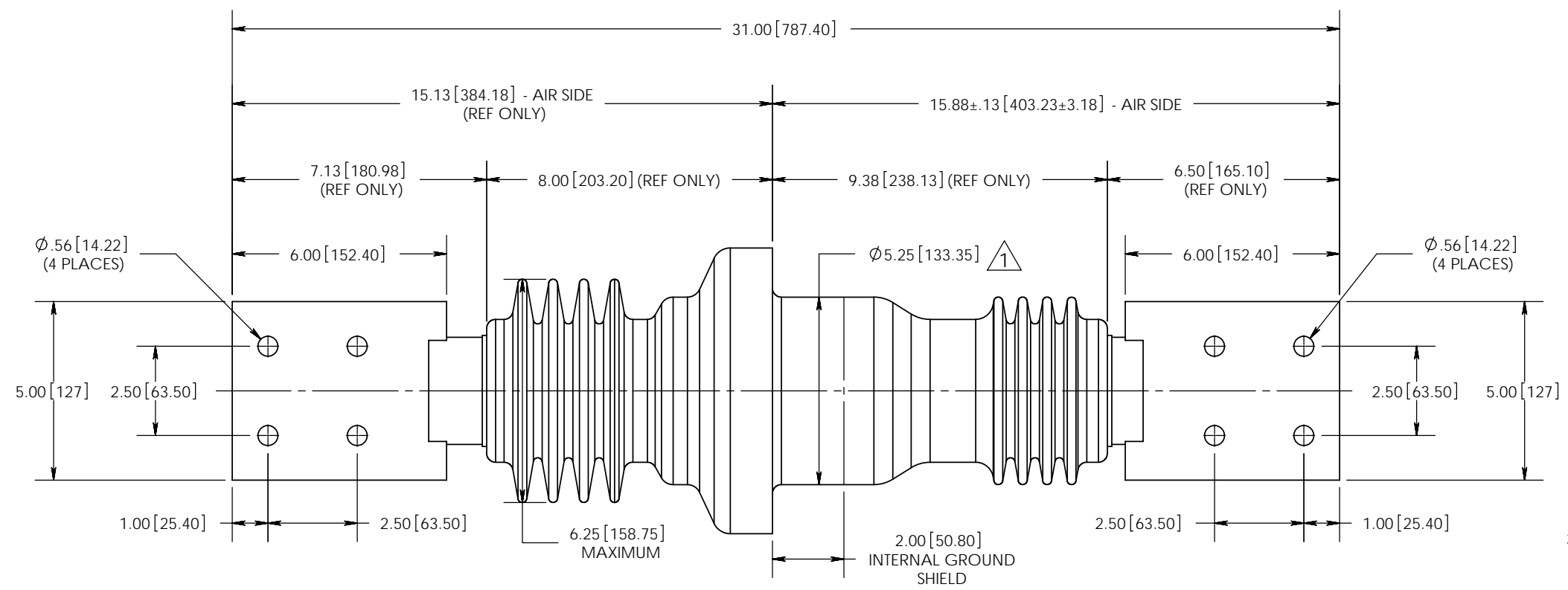
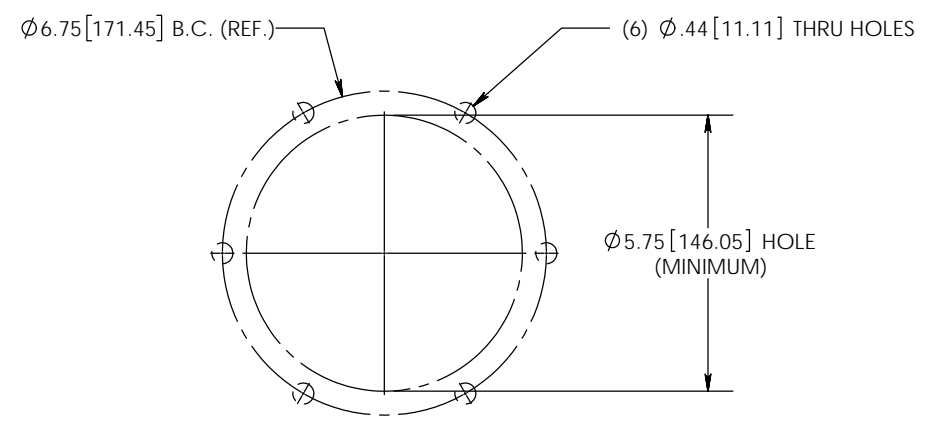


REVISIONS					
REV.	DATE	ECN#	DESCRIPTION	BY	APPROVED
1	6/20/2014	HJ14-108	REMOVED MAXIMUM CONDITION	CLS	BLB



3/8"-16 UNC X .63" [15.88] DEEP
STEEL-ZINC PLATED MOUNTING
INSERTS (6 PLACES) COMMON
WITH STRESS SHIELD

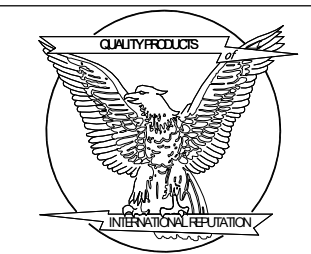
RECOMMENDED MOUNTING DETAIL



- NOTES:
1. ALL CONTACT SURFACES TO BE CLEAN & FREE FROM FLASH.
- MATERIAL:
1. E07 - CYCLOALIPHATIC EPOXY (U.V. EXPOSED), COLOR: GREY
2. HD ETP COPPER C11000, TIN PLATED CONDUCTOR.

- SPECIFICATIONS:
1. MANUFACTURED IN ACCORDANCE WITH IEEE C57.19.01-2000
2. RATED VOLTAGE 13.8kV
3. POWER FREQUENCY WITHSTAND 50kV
4. BASIC IMPULSE LEVEL 110kV
5. NOMINAL CURRENT RATING 4000 AMPS
6. TEMPERATURE CLASSIFICATION..... -50°C TO +105°C
7. APPROXIMATE WEIGHT 73 LBS

PROPRIETARY AND CONFIDENTIAL THE INFORMATION CONTAINED IN THIS DRAWING IS THE SOLE PROPERTY OF H-J INTERNATIONAL, INC. ANY REPRODUCTION IN PART OR AS A WHOLE WITHOUT THE WRITTEN PERMISSION OF H-J INTERNATIONAL, INC. IS STRICTLY PROHIBITED.	TOLERANCES (EXCEPT AS NOTED)	
	ONE PLACE MM ±1.50	TWO PLACE MM ±0.75
BREAK ALL SHARPS UNLESS OTHERWISE NOTED	TWO PLACE DEC. ±.060	THREE PLACE DEC. ±.030
	FRACTIONS ± 1/16"	ANGLES 2°



H-J INTERNATIONAL, INC.
3010 HIGH RIDGE BLVD, HIGH RIDGE, MO. 63049 USA
PHONE 1-636-677-3421 FAX 1-636-376-1915

POWER APPARATUS BUSHING
15kV / 4000A

APPROVED BY	..	DATE	..
CHECKED BY	BS	DATE	06/20/14
DRAWN BY	CJT	DATE	7-21-09
TOOL NO.	T20-200-7		
PRODUCT GRP.	2000 SERIES		

DRAWING NO.		20-200-702	
SCALE	1:4	SIZE	B
REV.	1	SHEET	1 OF 1